



lighting your way



NAT MT-12 LED

Providing comfortable lighting for residential life

To establish satisfactory lighting for residential roads, sidewalks, parks, etc., we highly recommend this luminaire's 12 LED package as an optimal choice.

Residential locations that build up around the outside of cities usually involve a slowly paced traffic of various users. Luminaire installation on low poles is therefore a common practice to prevent light trespass while considering appropriate optical distribution, CCT and dimming controls to prevent

glare, enhance comfort and the sense of well-being at night. This solution presents a very high energy saving potential, for very little power is needed to meet the demands of a relatively low lighting class in these areas.

Additional dimming options are available to even further enhance the saving potential, while respecting the lighting requirements and keeping the streets securely lit at night.





Starting with NAIT MT-12 LED



PERFORMANCE DATA

System flux: 1403,8 lm - 3519,0 lm

System power: 12,0 - 27,4 W

CCT: 2700 K, 3000 K, 4000 K

CRI: ≥ 70 , ≥ 80

Classification: IEC protection class I/II, IP66, IK10

Surge protection: 10 kV (L/N-ground), 6 kV (L-N)

Smart lighting: AstroDIM, Virtual Midnight,
StepDIM, DALI

On request: 4-pin socket (ZHAGA book 18), CLO

Overtime

performance: L80B10 100.000 hours at $T_a=25^\circ\text{C}$

Certification: ENEC, CE

INSTALLATION

Mounting device: For pole spigot from $\Phi 42$ to $\Phi 60$ mm

Fixation type: post top / side entry

Tilt angle: $0^\circ / \pm 5^\circ / \pm 10^\circ / \pm 15^\circ$

Connecting: IP66 fast connector (2/3 or 5 pole)

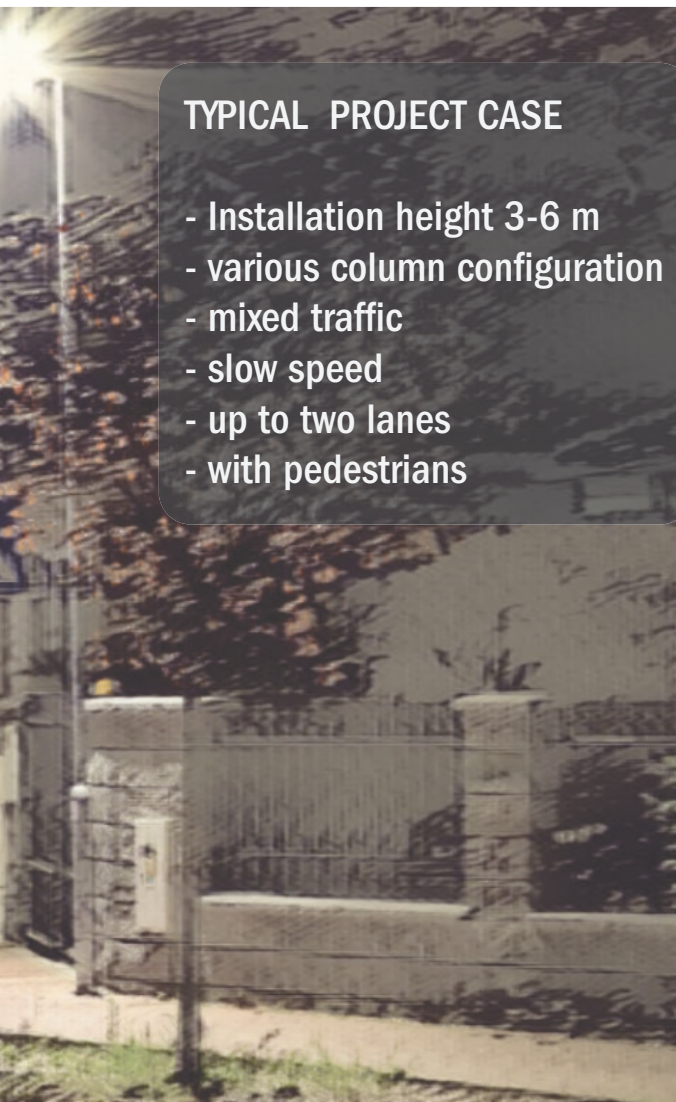
FEATURES

Net weight: 6,10 kg

Pre-wiring: preinstalled with fast connector

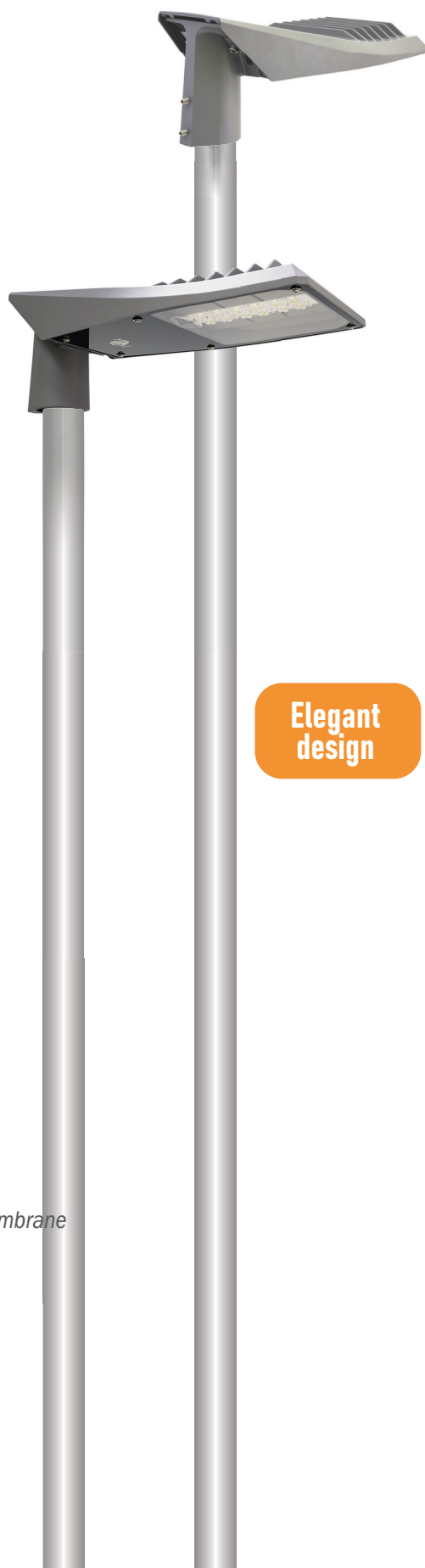
- Default: 3-pin fast connector IP66 on
0,2m 3G1 cable

- Optional: custom cable length with or
without fast connector



TYPICAL PROJECT CASE

- Installation height 3-6 m
- various column configuration
- mixed traffic
- slow speed
- up to two lanes
- with pedestrians



Elegant design

MATERIALS

Housing material: *High pressure die-cast aluminum*

Finish: *Polyester powder-coated paint in RAL 9007*

Optic material: *PMMA High transparent*

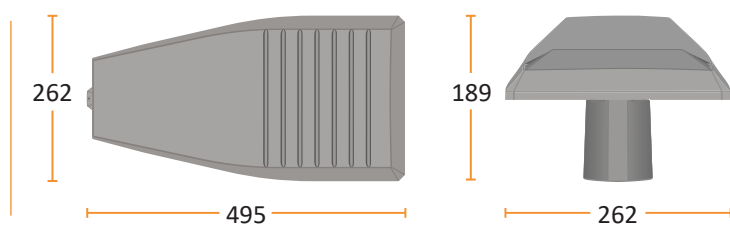
Optical cover: *OPTIWHITE 5 mm tempered glass*

Cable gland: *stainless steel with pressure equalization membrane*

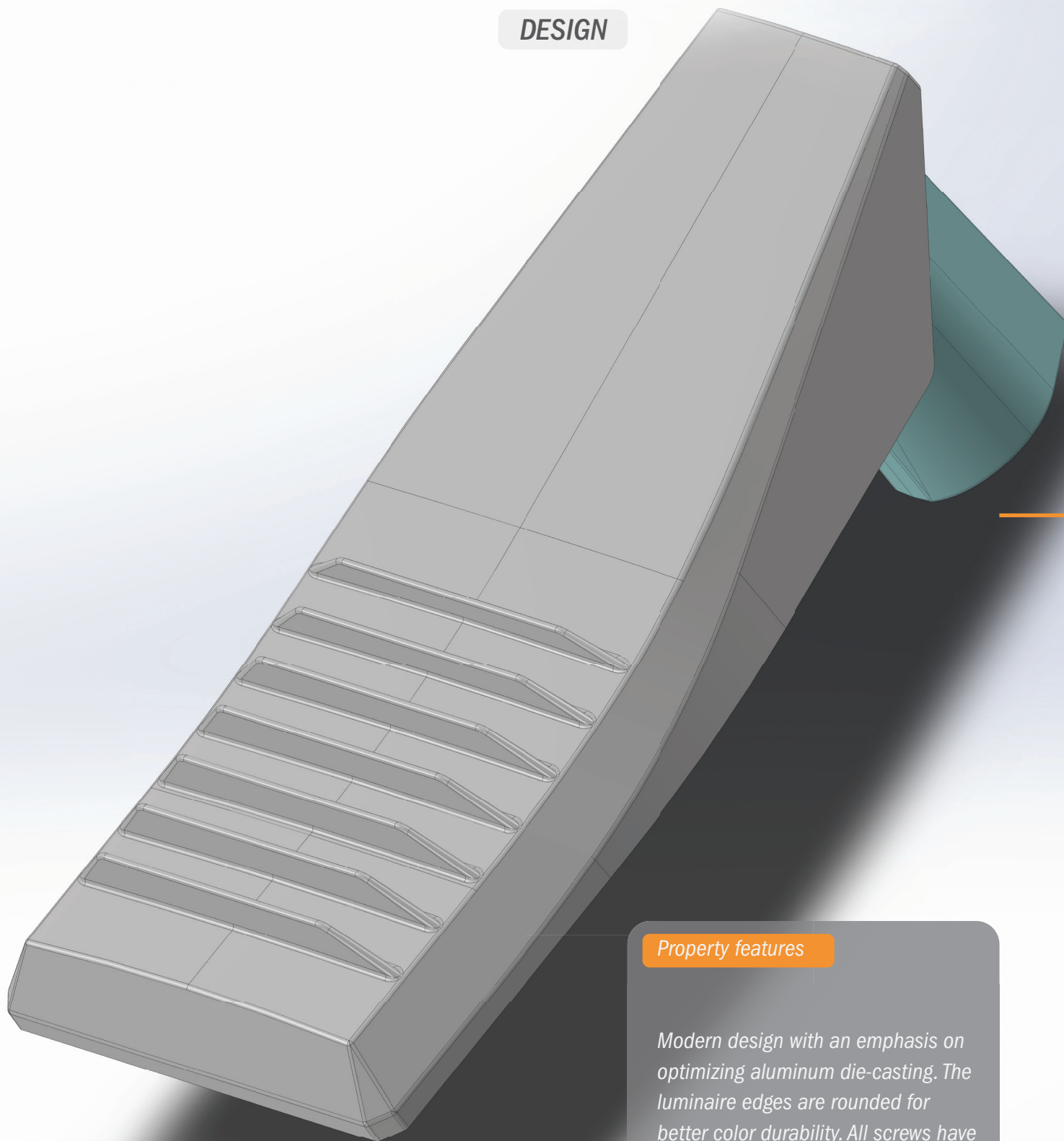
Fixation bolts: *stainless steel grade A4*

MEASUREMENTS:

units: mm



DESIGN



Property features

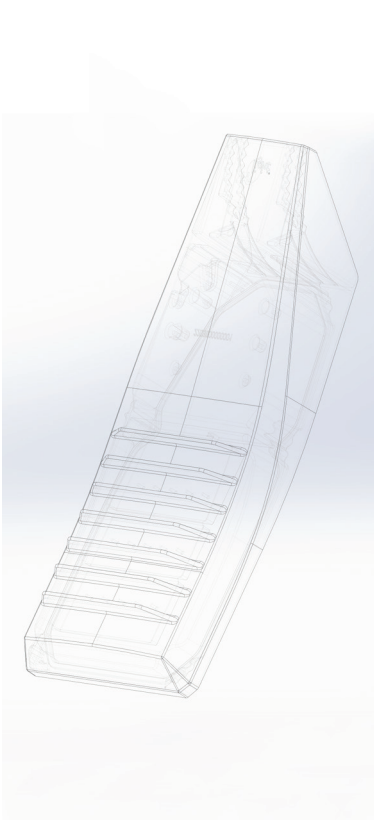
Modern design with an emphasis on optimizing aluminum die-casting. The luminaire edges are rounded for better color durability. All screws have been cleverly positioned outside the IP66 area.

Highlighting the details

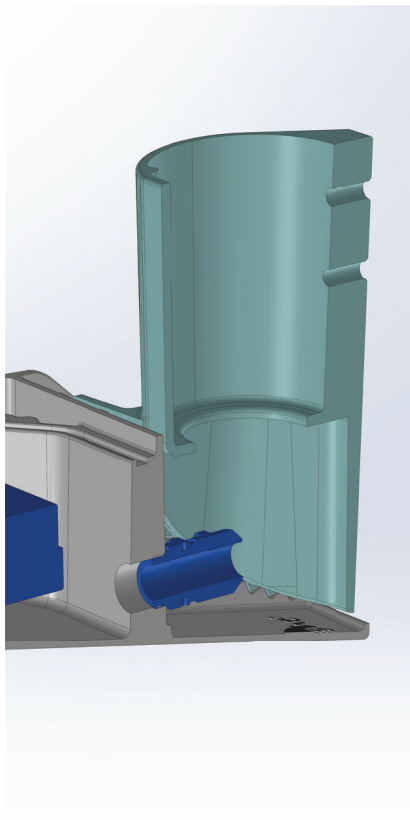
DESIGNED IN SLOVENIA

Graphic design made in SOLIDWORKS

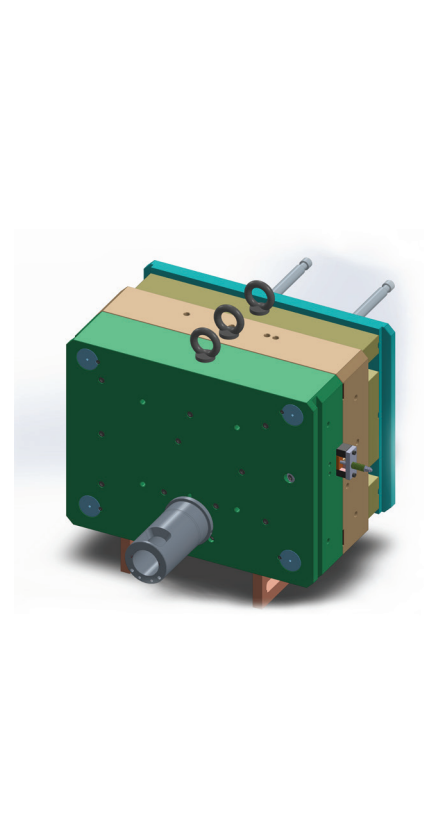
Entire luminaire is virtually assembled from components to obtain better view of complete assembly.



Luminaires aluminum cooling ribs provide excellent temperature dissipation.



Pressure equalizing stainless steel cable gland serves a triple purpose. Equalizing internal pressure whilst filtering out water and securing power supply cable.

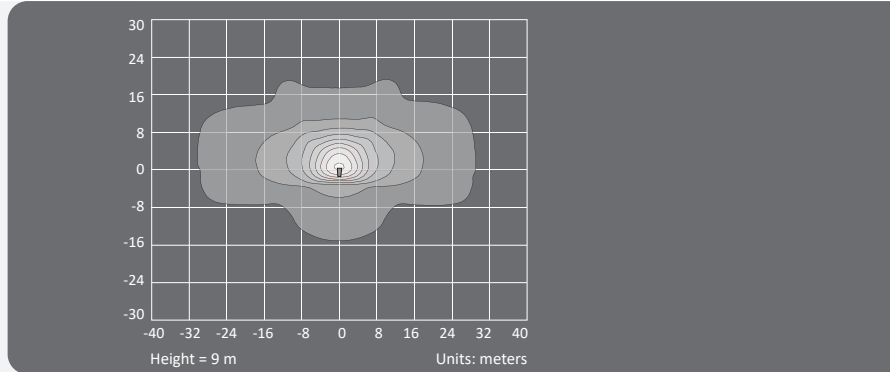
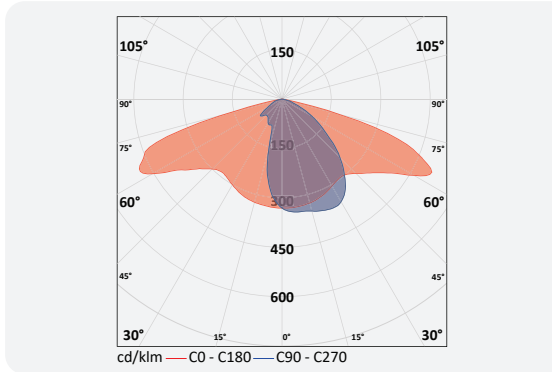


Our die-casting tools we have the option to change the characteristics of casting according to demands of the latest technology.

Commonly used optics with NAIT MT 12 LED

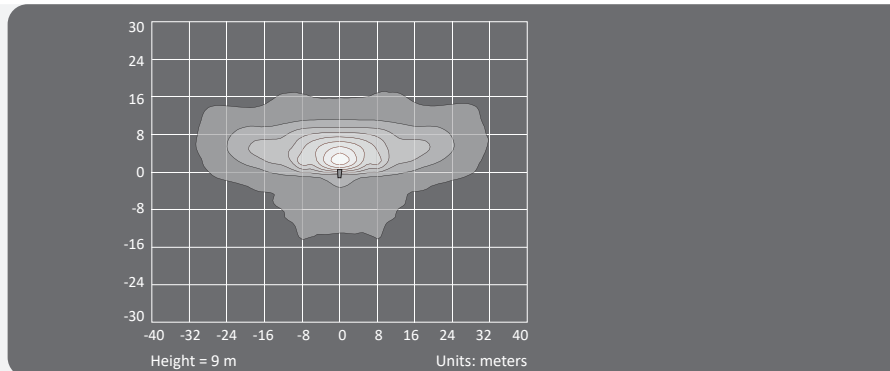
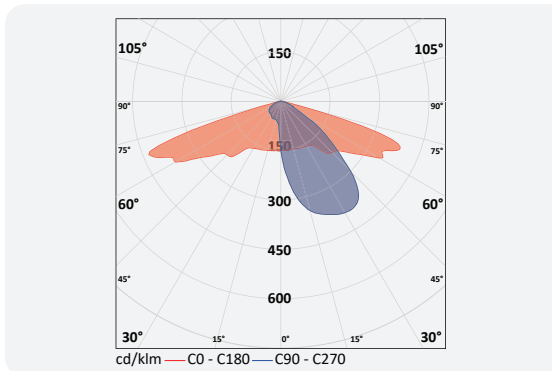
WD optic

Universal road lighting beam with excellent mixed illuminance and luminance uniformity. Typically IESNA Type III (medium).



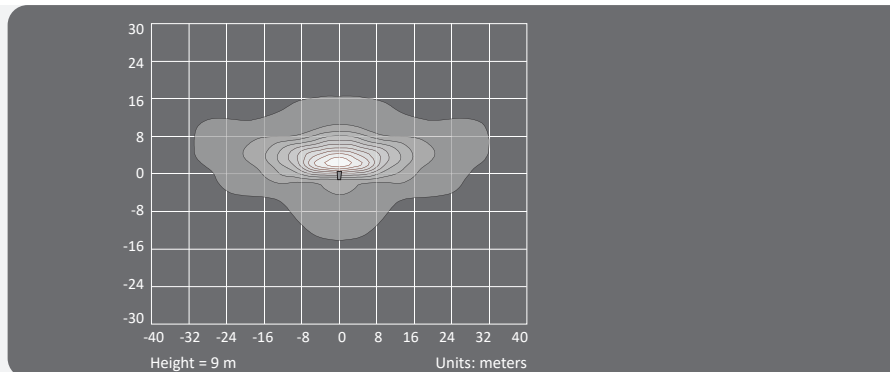
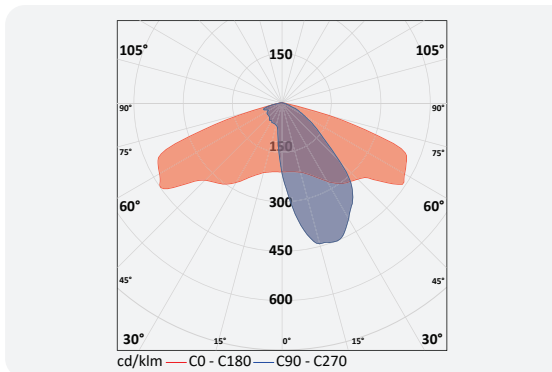
WA optic

IESNA Type II (medium) beam with excellent backlight control, illuminance uniformity and cutoff.



ND optic

IESNA Type II (medium) beam applicable for European P-class standard pedestrian lighting and M-class roads



All additional optics are available on pg. 65.

NAIT MT 12 LED Ordering codes

| housing | LED | CCT/CRI | power | optic | operating mode | surge protection | wiring | RAL | el. class | controls |
|------------------|--------------|---------|-------|-------|----------------|------------------|--------|----------|-----------|----------|
| housing: NAIT | MT12LEDHP | 722 | 5 W | WD | ON/OFF | BI | QCS | 9007 | CL1 | NC |
| | MT12LEDHP-HE | 727 | 10 W | WA | ON/OFF-CLO | | 1 m | 9007P | CL2 | ZH |
| | | 730 | 15 W | DA | Astro DIM | | 2 m | 9007E | | NE |
| | | | 740 | 20 W | FF | Astro DIM-CLO | | 3 m | | |
| | | | 822 | 25 W | CO | Step DIM | | 4 m | | |
| | | | 827 | | PC | Step DIM-CLO | | 5 m-16 m | | |
| | | | 830 | | ND | DALI | | | | |
| | | | 840 | | H3 | DALI-CLO | | | | |
| | | | | | H4 | | | | | |
| | | | | | | | | | | |

This guideline should give you a brief overview of the configuration options of the NAIT MT 12 LED luminaire. Please contact us if you have any further questions about the configuration.

Different controls: NC-no control, ZH-ZHAGA socket, NE-NEMA socket

Electrical class: CL1 (earthed), CL2 (double insulated)

RAL options: 9007-standard colour, 9007P-additional primer + standard colour (on request), 9007E-eluxation+standard colour (on request)

Options of wiring: QCS-quick connect system, 1 m-16 m different cable length from 1 m to 16 m, scale is 1 m

Surge protection: BI-built in standards of driver

Power: from 5 W to 25 W

Optics: several optics are available

Operating mode: several operating modes are available

CCT/CRI: Different CCT and CRI are available

Sample of ordering code: NAIT-MT12LEDHP-722-5W-WD-ONOFF-BI-QCS-9007-CL1-NC



lighting your way

